

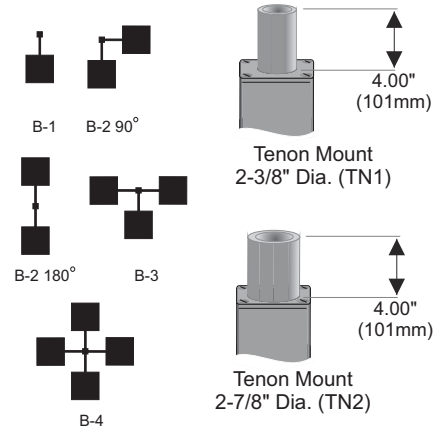


Straight Square Aluminum Poles

4.000" Square

CAT. #	Dia (inch)	Height ft (m)	EPA. Wind Velocity (MPH)			Weight lbs (Kgs)	BCD (inch)	Conduit Opening
			90	100	110			
SA410	4.000	10 (3.0)	17.4	13.5	10.8	40 (18)	8 (AA8)	3"
SA412	4.000	12 (3.7)	14.9	11.5	9.2	46 (21)	8 (AA8)	3"
SA415	4.000	15 (4.6)	12.1	9.3	7.4	55 (25)	8 (AA8)	3"
SA418	4.000	18 (5.5)	10.1	7.8	6.1	64 (29)	8 (AA8)	3"
SA420	4.000	20 (6.1)	9.1	7.0	5.5	70 (32)	8 (AA8)	3"
SA424	4.000	24 (7.3)	7.5	5.7	4.5	82 (38)	8 (AA8)	3"

Mounting Options



Series	Mounting	Color	Options	Anchor
	B-1 B-2 90 B-2 180 B-3 B-4 TN1 TN2	Paint WHITE (WHI) BLACK (MBK) BRONZE (BZS) SPECIAL (SPC) Anodizing CLEAR (CLA) BLACK (BKA) BRONZE (BZA)	HINGED BASE (HBP) RECEPTACLE (RCTL) Retrofit Base	

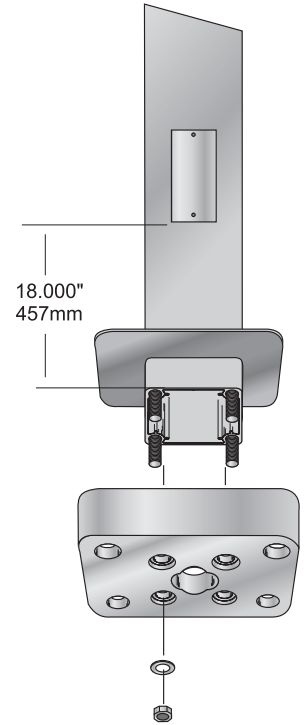
Shaft: Anodizing quality extruded aluminum 6005 T5 alloy 35,000 PSI yield strength with an Internal race way that provides strength, rigidity and transfers all associated loading into the corners. Mechanical compression method for joining components utilizes full yield strength. All internal fasteners carry 500 hour salt spray plating. A hand hole 2" x 5" opening is complete with gasket and Stainless steel screws and screw-type ground lug.

Base: Cast aluminum 713 alloy base designed to exceed the maximum pole loading. Unique integrated theft-proof one piece base cover is factory installed

Finish: Four stage chromate conversion processed pre-treatment with powder coated oven-baked painted finish providing superior appearance and durability. Optional hard color anodized finishes available.

Anchor: Hot-dipped, galvanized anchor cage and wooden positioning template ensure proper alignment with every pour.

Warranty: Twenty year comprehensive mechanical structural warranty. Three year finish and material warranty. All warranties are limited to replacement and/or repair.



All X-tron poles are in conformance with requirements of AASHTO Spec (5th edition) and IBC 2006, When specifying poles to 100mph and beyond consult factory for project verification prior to installation.

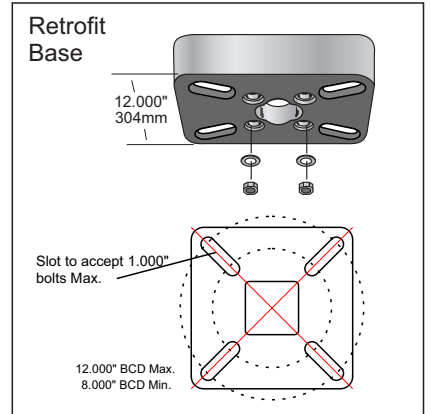
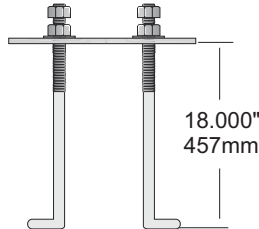
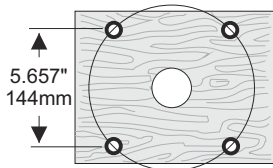
Note: EPA.'s. are calculated to severe exposure and include a 1.3 gust factor.

Certified to Canadian and US electrical safety standards for "Wet Location"

AA8 (Non-Hinged)

Anchor Assembly

4 - (5/8" or 3/4") x 18" J-bolts
c/w hex nuts and washers
8" (203mm) B.C.D.



Pappi Lighting

A Revolution Has Begun

MISSISSAUGA, ONTARIO, CANADA,
tel: 905 625-1139 fax: 905 625-0231
web: www.pappilighting.com

Hinged Base
Option.

