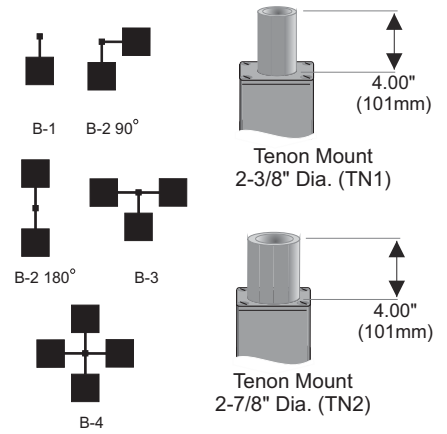




# Straight DeeSquare Aluminum Poles 3.600" Dee Square

CAT. #	Dia	Height ft (m)	EPA. Wind Velocity (MPH)			Weight lbs (Kgs)	BCD (inch)	Conduit Opening
			90	100	110			
DSA3615	3.600	15 (4.6)	7.6	6.9	4.7	50 (23)	8 (AA8)	2-7/8"
DSA3618	3.600	18 (5.5)	6.1	4.6	3.6	58 (26)	8 (AA8)	2-7/8"
DSA3620	3.600	20 (6.1)	5.4	4.2	3.2	62 (28)	8 (AA8)	2-7/8"
DSA3625	3.600	25 (7.6)	4.0	3.0	2.4	72 (33)	8 (AA8)	2-7/8"

## Mounting Options



Series	Mounting	Color	Options	Anchor
<input type="text"/>	<input type="text"/>	<input type="text"/>	<input type="text"/>	<input type="text"/>

- B-1
  - B-2 90
  - B-2 180
  - B-3
  - B-4
  - TN1
  - TN2
- Paint  
 WHITE (WHI)  
 BLACK (MBK)  
 BRONZE (BZS)  
 SPECIAL (SPC)
- Anodizing  
 CLEAR (CLA)  
 BLACK (BKA)  
 BRONZE (BZA)
- HINGED BASE (HBP)  
 DSA36 Requires (AA7) Anchor system
- RECEPTACLE (RCTL)  
 COLOR FEATURE  
 STRIPES (CFS)

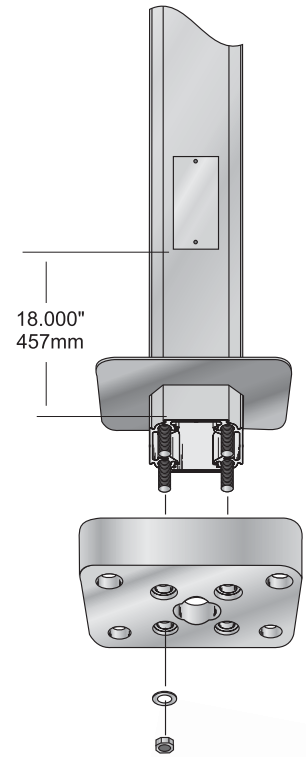
**Shaft:** Anodizing quality extruded aluminum 6005 T5 alloy 35,000 PSI yield strength with an Internal race way that provides strength, rigidity and transfers all associated loading into the corners. Mechanical compression method for joining components utilizes full yield strength. All internal fasteners carry 500 hour salt spray plating. A hand hole 2" x 5" opening is complete with gasket and Stainless steel screws and screw-type ground lug.

**Base:** Cast aluminum 713 alloy base designed to exceed the maximum pole loading. Unique integrated theft-proof one piece base cover is factory installed

**Finish:** Four stage chromate conversion processed pre-treatment with powder coated oven-baked painted finish providing superior appearance and durability. Optional hard color anodized finishes available.

**Anchor:** Hot-dipped, galvanized anchor cage and wooden positioning template ensure proper alignment with every pour.

**Warranty:** Twenty year comprehensive mechanical structural warranty. Three year finish and material warranty. All warranties are limited to replacement and/or repair.



**Hinged Base Option.**



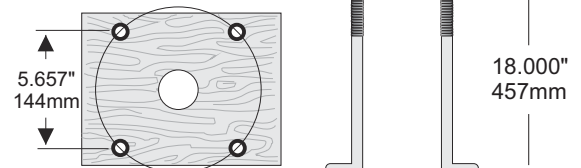
All X-tron poles are in conformance with requirements of AASHTO Spec (5th edition) and IBC 2006, When specifying poles to 100mph and beyond consult factory for project verification prior to installation.

Note: EPA.'s. are calculated to severe exposure and include a 1.3 gust factor.

Certified to Canadian and US electrical safety standards for "Wet Location"

## AA8 (Non Hinged) Anchor Assembly

4 - 5/8" x 18" J-bolts  
 c/w hex nuts and washers  
 8" (203mm) B.C.D.



**Pappi Lighting**

**A Revolution Has Begun**

MISSISSAUGA, ONTARIO, CANADA,  
 tel: 905 625-1139 fax: 905 625-0231  
 web: www.pappilighting.com